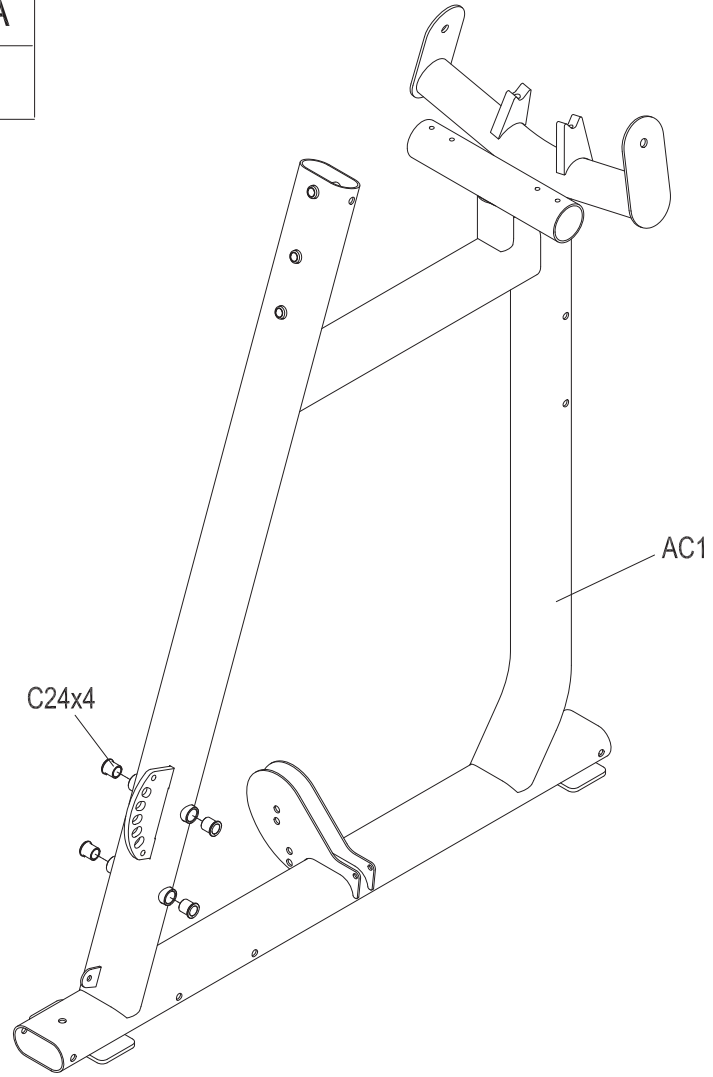
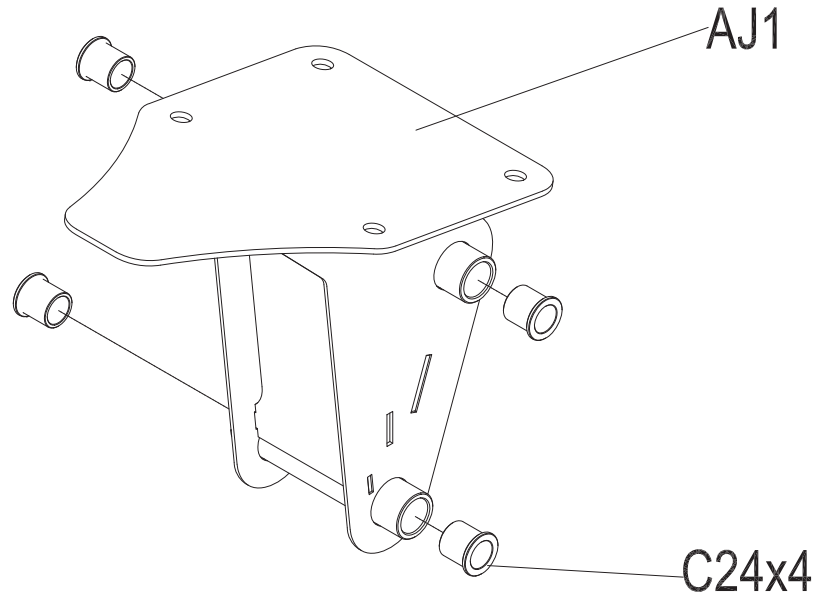




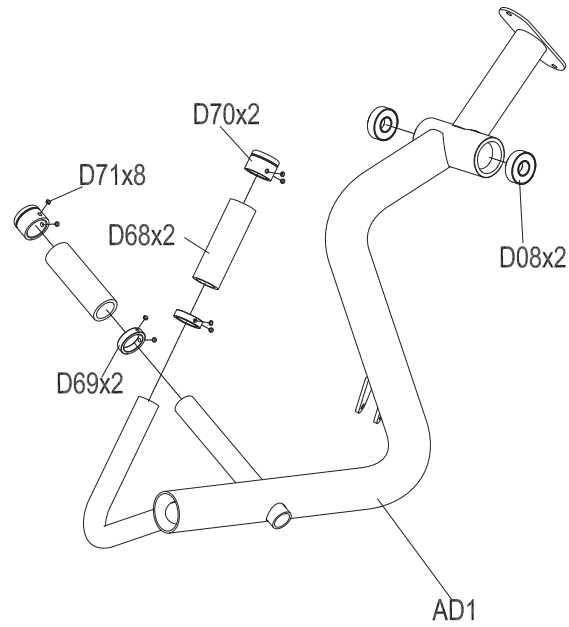
DRAWING NO			
PART NAME	USER FRAME		
PART NO	1000205427	REV	A
APPROVE	CINDY	DATE	2012106



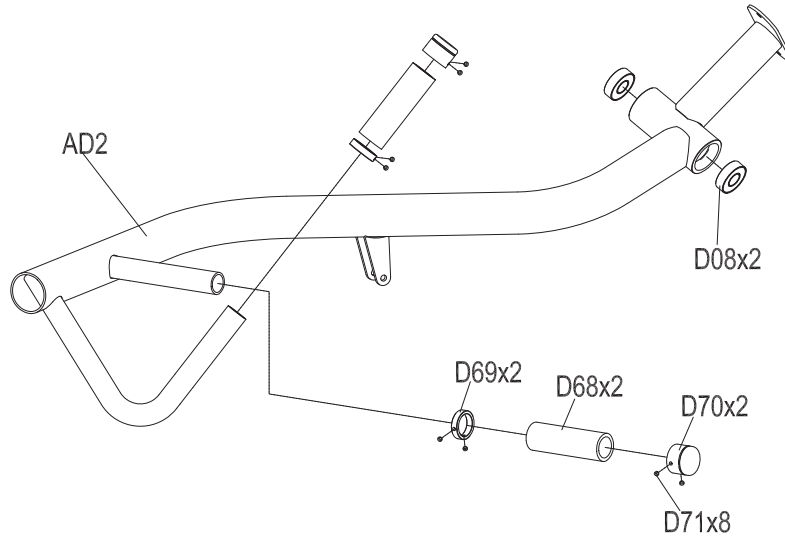
DRAWING NO			
PART NAME	Seat Chair Adjust Set;		
PART NO	1000113079	REV	A
APPROVE	CINDY	DATE	2012106



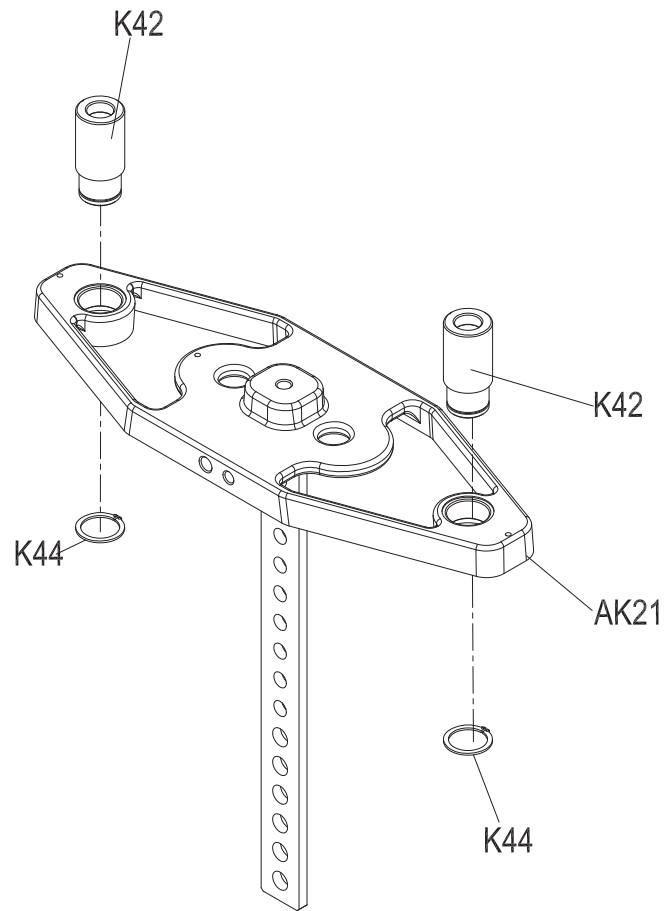
DRAWING NO			
PART NAME	LEFT ARMSEMI-ASSY		
PART NO	1000205450	REV	A
APPROVE	CINDY	DATE	2012106



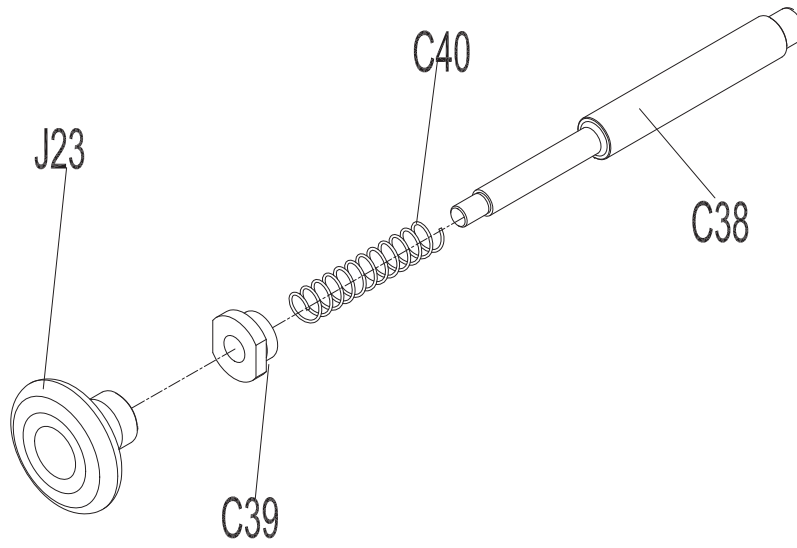
DRAWING NO			
PART NAME	RIGHT ARM SEMI-ASSY		
PART NO	1000205460	REV	A
APPROVE	CINDY	DATE	2012106



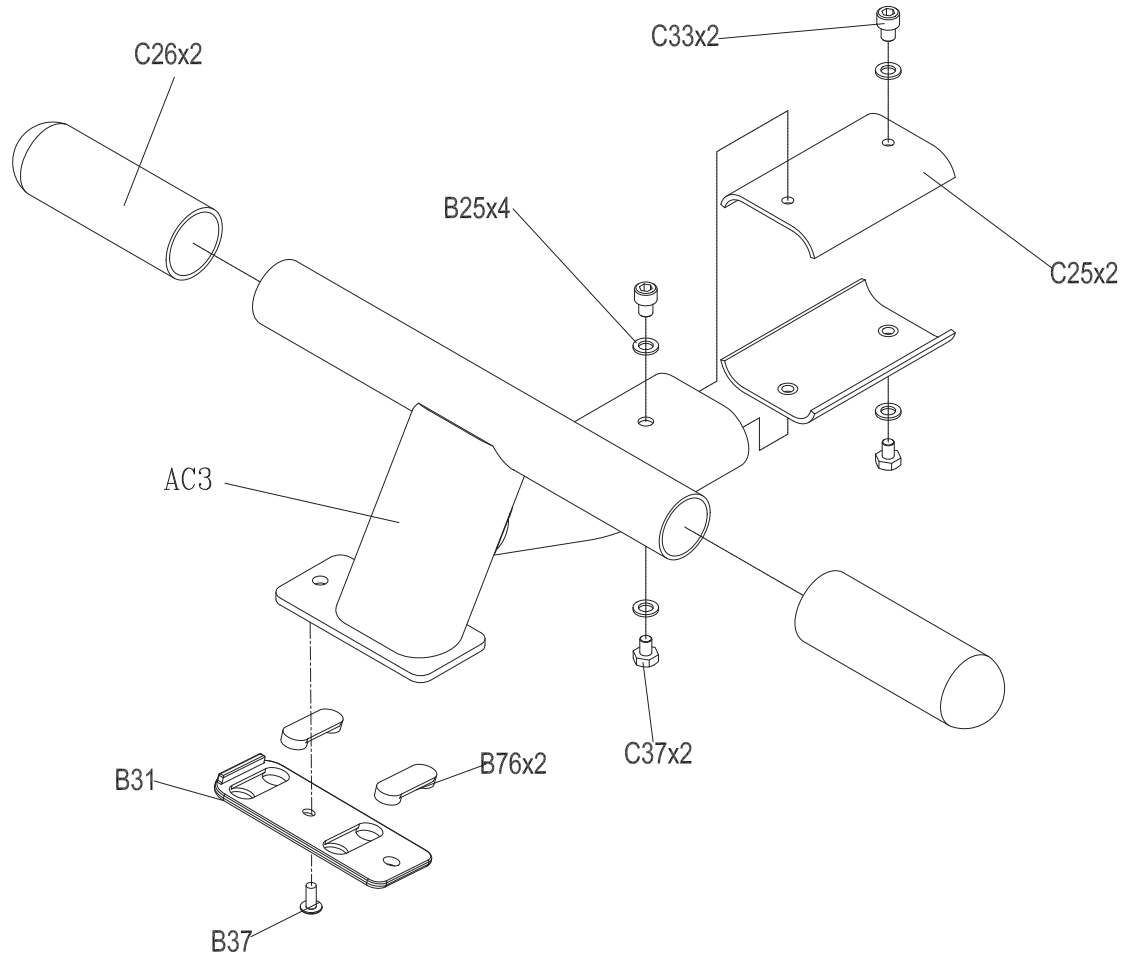
DRAWING NO			
PART NAME	Head Plate		
PART NO	1000207217	REV	A
APPROVE	CINDY	DATE	2012114



DRAWING NO	
PART NAME	PULL PIN
PART NO	1000209623
APPROVE	CINDY
DATE	20111212
	REV A

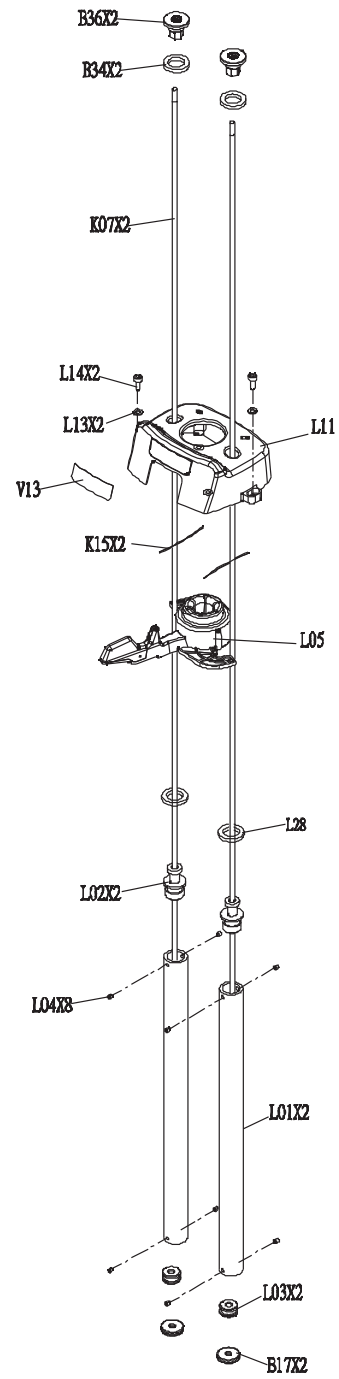


DRAWING NO			
PART NAME	RACK_SETLSEMI-ASSY		
PART NO	1000212327	REV	A
APPROVE	CINDY	DATE	2012106

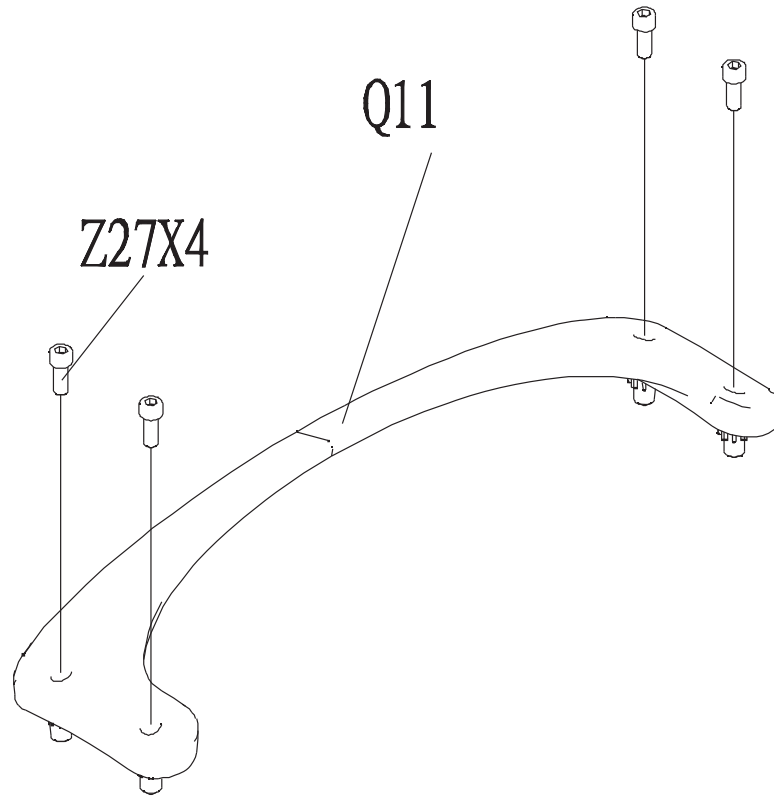




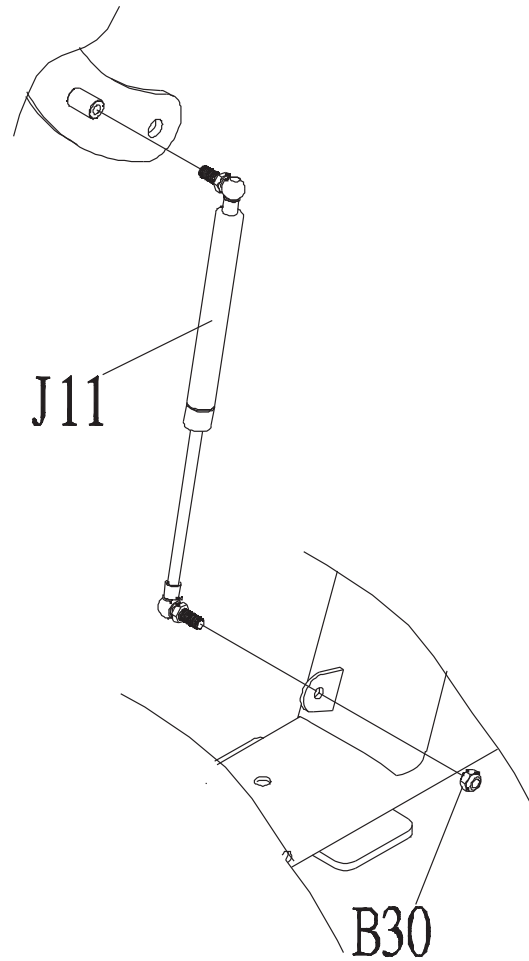
DRAWING NO	
PART NAME	Assistant Weight Plate Set
PART NO	1000113110 <span style="border: 1px solid black; padding: 2px;">REV B</span>
APPROVE	JOHN DATE 20120711



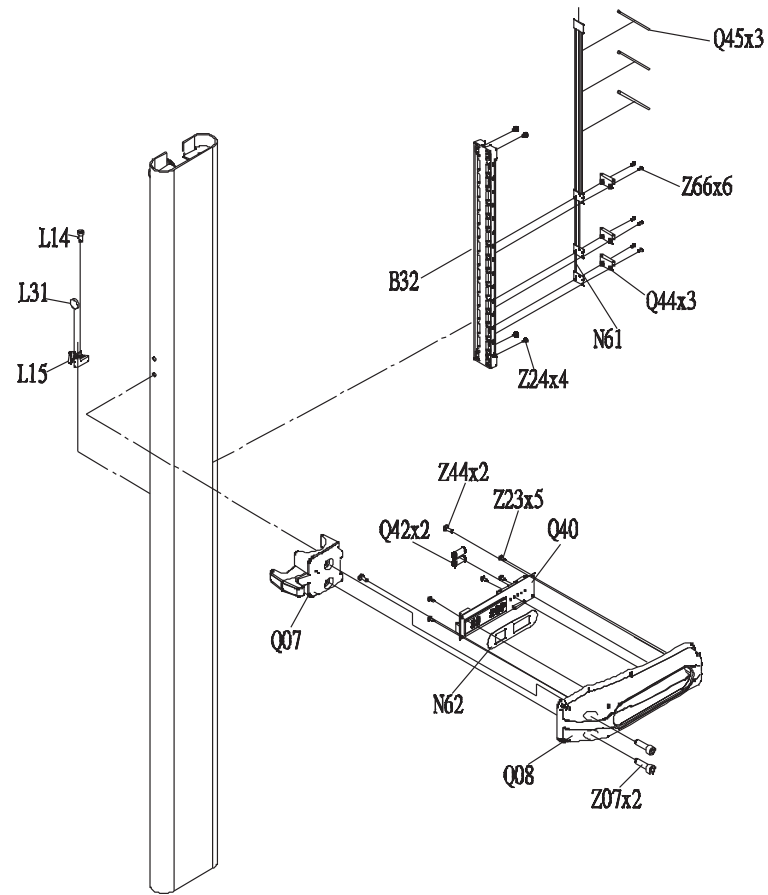
DRAWING NO	
PART NAME	SHIELD SET;U
PART NO	1000220477
APPROVE	PAUL
DATE	20120711



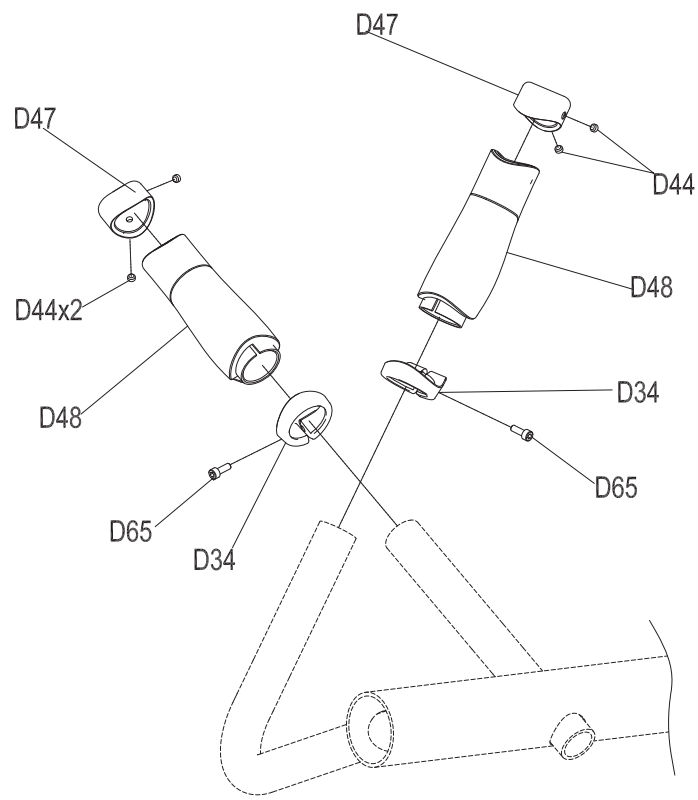
DRAWING NO	
PART NAME	AiR Shock Set
PART NO	1000220728 <small>REV</small> A
APPROVE	PAUL DATE 20120711



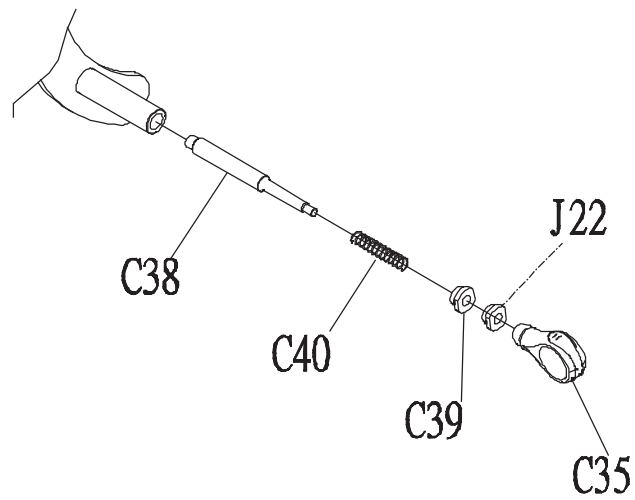
DRAWING NO	
PART NAME	<b>SENSE ORGAN SET</b>
PART NO	1000200250 <span style="float: right;">REV A</span>
APPROVE	JOHN      DATE 20120711



DRAWING NO			
PART NAME	GRIP;PREMIUM LINE		
PART NO	1000209578	REV	A
APPROVE	CINDY	DATE	2012106



DRAWING NO	
PART NAME	PIN SET;SA;ADJUSTABLE (PREMIUM LINE)
PART NO	1000209569  A
APPROVE	PAUL
DATE	101411



Bubble #	OEM Number	Description	Notes
1	1000205427	USER FRAME SET - GM63 -	
10	1000220728	PREMIUM - Air Shock Set GM59-KM	
11	1000200250	PREMIUM - REP COUNTER	
12	1000209578	HANDLE SET SA GM59 (PREMIUM LINE)	
13	1000217204	PIN SET R SA (PREMIUM) GM70-KM	Premium version of Kit 6.
14	1000209570	PREMIUM LEVEL SA GM63-KM	Includes all Premium Kit Parts (Kits 9-13). This part is Iced Silver Dark Gray is discontinued. See service bulletin "Seat Adjustable Set Color Change".
2	1000466205	Seat Adjustable Set Semi-Assy Iced Sliv	
3	1000205450	PEDAL ARM SET L GM63 -	
4	1000205460	PEDAL ARM SET R GM63 -	
5	1000207218	Wps Set Superstratum Paint GM59	Kit works with both light and heavy weight plate stacks.
6	1000305793	Pin set Semi-Assy FW212-KM	Order Kit 13 for Premium.
7	1000212327	RACK SET SA - GM63-KM - -	
8	1000113110	Assistant Weight Plate Set GM59-KM	Kit works with both light and heavy weight plate stacks. // Incremental Weight Plate Set
9	1000220477	PREMIUM - SHIELD SET U GM59 -	
AB1	1000205415	FRAME SET - GM63 -	
AG1	1000226800	LINK SET SA U GM63 SERVE	
AG2	1000226801	LINK SET SA D GM63 SERVE	
AJ3	1000226802	SEAT SET SA RU GM63 SERVE	Color changed from Dark Grey to Black Matte beginning in 2021. See service bulletin "Seat Adjustable Set Color Change". Color changed from Dark Grey to Black Matte beginning in 2021. See service bulletin "Seat Adjustable Set Color Change".
AJ4	1000226803	SEAT SET SA LU GM63 SERVE	Color changed from Dark Grey to Black Matte beginning in 2021. See service bulletin "Seat Adjustable Set Color Change".
AK13	1000215667	Weight Plate axle sleeve - Extrawork,10LBS GM	10lb plate
AK14	1000215776	WPS set axle sleeve - Extrawork,15LBS GM	15lb plate
B13	1000112985	Elastomer Weight Plate GM59	
B17	1000112984	Elastomer Assistant Weight Plate GM59	
B18	1000200252	RUBBER STOPPER - GM59	
B20	1000230611	SUPPORT PLATE WHEEL SPHC CHM GM59	

B21	1000108501	Bushing CON Rod Peadel Arm painting GM40
B22	1000204728	FIXING PLATE ROPE WHEEL SPHC GM59-KM
B23	073573	Pulley 115mm
B24	1000108796	Screw RND M10x1.5Px55L HS CHM BP G12.9
B25	020465-AB	Washer Flat M10.2X25PX2.0T Chromed
B26	004910-00	Nut NLK M10X1.5P CHM
B27	1000221624	BLOCK - - PAINTING - - -
B28	004479-ABX	Screw Hex Socket Round M8x1.25Px15L Cr A
B29	005145-AC	Washer Flat 8.2x19.0x2.0T Chromed
B30	004929-00	Nut Nylon M8x1.25P Chromed
B31	1000303546	Plastic Pad Foot Pad - PP BL427
B32	1000096026	Fixing Base Sensor ABS GM40
B34	1000215843	PLASTIC PLATE FRAME CR -
B35	005144-AC	Washer Flat 10.2X35.0X2.0T Chromed
B36	1000215844	Guide Rod fitting, Chromed
B37	004696-AB	Screw TH M8x1.25Px20L Hex Socket Chrom
B45	1000230891	SCREW SET M10X1.5PX65L FLATHEADED HS C
B76	1000233200	PLASTIC COVER NBR BL
C20	081649	Washer SPL SW8 8.2X13.5X2.0T CHM
C24	1000096014	Bushing 15x19x20T GM40
C25	1000215742	RACK CONNECTING PLATE - - PAINTING - - G
C26	086732	Foam For50.8 Foot Pad PL01
C29	004541-AC	Screw Hex Socket Round M8x1.25Px45L Chromed
C30	1000108189	Screw RND M10x1.5Px50L-15L MT HS CST CHM
C31	1000215637	SCREW SPECIAL M8X1.25PX47.8L MT HS G8.8
C32	1000113094	Adjust Plate Seat Chair Chromeplate SPHC
C33	1000099593	Screw SH M10X1.5PX12L HS CHM BP
C34	1000215022	PLASTIC BLOCK - NBR BL GM63
C35	096165	Adjustment Grip Set - APPLY RED LOCTITE TO PIN THREADS WHEN INSTALLING REPLACEMENT HANDLE
C36	1000102862	Screw Hex Socket Round M8x1.25Px30L Cr P
C37	1000221389	SCREW HH M10X1.5PX12L MT - G10.9 CHM
C40	1000358938	Spring Compression 1.2x12.9x65Lx12N 65



C41	1000104003	Cap Insert Nut GM40-KM
C42	1000113092	Axis Connect Pole 45# Chromeplate GM59
C43	1000215021	SLEEVE 20 WZN SWING ARM
C46	1000096996	Cap Three PP GM40
C47	1000205448	PLASTIC COVER - - - GM59
C48	1000113067	Mast Bearing LKAC_12_M GM59
C49	1000113066	Space Mass Mast Bearing 20# Chromeplate
C50	005129-AB	Washer Flat 8.0X23.0X2.5T Chromed
D08	004081-A2	Ball Bearing 6204ZZ 20x47x14t TPI
D14	029160-AA	End Cap Handlebar
D15	1000216132	BALANCE PLATE - 14.5KG - - HT200
D18	1000108805	Screw RND M8x1.25Px20L HS CHM BP G12.9
D19	004525-00	Screw Hex Socket Round M8x1.25Px50L
D34	096214	Fixing Ring ADC12 GM40
D44	004855-AC	Set Screw M6X1.0PX4L
D47	096215	Cap Cover Grip ADC12 GM40
D65	1000108801	Screw RND M5x0.8Px15L HS CHM BP G8.8
D68	1000209553	FOAM ELASTOMER Diam.30.4X5TX125L GM59 -
D69	009355-B	Stopper Mast Foam AL6061 GM02
D70	009372-E	Cap Grip GM02
D71	084241	Screw Set M6X1.0PX5L BP POT
F01	1000205467	STEEL ROPE A - Diam.4.8X3825L
F02	1000205468	STEEL ROPE B - Diam.5.6X1485L
F03	1000226806	DRIVE SET SA GM63 SERVE
G19	1000216939	Protective Adhesive
J10	1000226804	SEAT SET SA D GM63 SERVE
J15	1000113095	Cover Seat Chair GM59
J41	1000227041	SLEEVE S45C WZN CONNECTING
J42	084666	Screw SH M10X1.5PX160L HS CHM
K06	1000113106	Tightwire Fix Pin 45# GM59
K07	1000113102	Guide Rod SUS304 Diam.6X1421.7 GM59
K15	1000204997	Steel Weight Plate Up 1080 Spring Steel

Color changed from Dark Grey to Black Matte beginning in 2021. See service bulletin "Seat Adjustable Set Color Change".

K17	1000202352	Cushion Guide Rod
K37	1000209625	GUIDE ROD 45 - WEGHT PLATE
K38	1000102915	Circlip E Type E-15 Cr Plate
K42	1000215659	BUSHING GUIDE ROD POM
K44	1000102912	Circlip External C Type S-30 BED
K47	004945-00	Nut Nylon M12x1.75P Chromed
L01	1000113111	Incremental Weight Plate - GM59-KM - Pai
L02	1000113107	Axis Sheath Leader GM59
L03	1000211166	PLASTIC BASE ADD WEIGHT PLATE POM GM5
L04	1000210485	SCREW SET M5X0.8PX6L FLAT POINT HS G8.8
L05	1000200264	GRIPE ABS+TPR GM59
L10	1000201802	PULL PIN SET WPS GM62 -
L11	1000207213	COVER INCREMENTAL WEIGHT ABS - - -
L13	070571	Washer Flat 5.2X10.0X1.5T CHM
L14	1000108801	Screw RND M5x0.8Px15L HS CHM BP G8.8
L15	1000209576	PLASTIC BASE MAGNET ABS FIXING
L28	1000224913	Cushion Aaw Nbr BI
L31	1000232864	PERMANENT MAGNET - 1500## ##
N61	1000229510	WIRE DISPLAY BOARD -- OKI HARBOR 2.5-
N62	1000096575	Overlay Manipulate GM40
Not Shown	ZMS4003242	Decal, QR, VS-S23 Conv Shoulder Press
Q01	1000113113	Cover Up ABS GM59
Q02	1000113114	Cover Front Clarity ABS GM59
Q03	1000113115	Cover Back Clarity ABS GM59
Q07	1000209577	PLASTIC BASE REP COUNTER - FIXING
Q09	1000209593	END CAP ACCENT
Q10	1000224767	Plastic Cover - - PP - - - -
Q12	1000209591	PLASTIC BAR - PVC - LABEL
Q13	1000303486	Clamp Cover -
Q42	ZMS4001255	Battery, AA for console
Q44	001679-00	Tie Strap Adhesive Nylon 66 HC-101 W
Q45	005811-00	Cable Tie Nylon Black 160L
V01	1000215023	INSTRUCTIONAL LABE GM63 - PC FRONT
V02	1000215029	INSTRUCTIONAL LABE GM63 - PC REAR

V03	1000215718	SPEC LABEL 10 LB WEIGHT PLATE BLACK PC	10lb labels.
V04	1000409123	Direction Label Weight Plate 230lbs/140k	15lb labels.
V05	1000215704	MARKING GM59-KM	
V06	1000215723	DIRECTION LABEL SEAT ADJUSTABLE - PC LEF	
V07	1000215724	DIRECTION LABEL SEAT ADJUSTABLE - PC RIG	
V08	1000217282	DIRECTION LABEL SEAT ADJUSTABLE - PC -	
V09	1000215728	DIRECTION LABEL SEAT ADJUSTABLE PC	
V11	093501	Warning sticker small GM40-KM	
V13	1000221799	DIRECTION LABEL AAW - PC -	
Z01	1000113020	Mandrel Whirl Arm 20# GM59	
Z02	1000207189	SHIM BEARING - SPHC - - Cr	
Z03	1000215741	FIXED SET - RD PAINTING - - GM63	
Z05	1000207188	WASHER DSP Diam.20.4XDiam.40.0X1.5T 50CR	
Z07	098577	SCREW HEX M8X1.25X35L	
Z08	005370-00	C-Clip External S-20	
Z09	082866	SCREW SH M12X1.75PX25L HS CHM	
Z10	1000097844	Washer Flat 13.0x26x2.0t Cr Plate	
Z11	1000104691	Screw RND M10x1.5Px30L HS G12.9 CHM BP	
Z12	020111-ZA	Screw Hex Socket Round M10x1.5Px125L(Too	
Z13	1000231572	SCREW SH M10X1.5PX20L HS BP CHM	
Z15	004518-00	Screw SH M10X1.5PX75L HS CHM	
Z16	1000102584	Screw Hex M10x1.5Px20L Cr Plate G12.9	
Z18	1000097206	Screw SH M8X1.25PX25L HS CHM BP	
Z19	005047-00	Washer Flat 8.2x20x1.8T Black Zinc	
Z23	020196-A	Screw Phillip BH Tapped 3x6L Zn-BL	
Z24	004870-00	Screw Plain Tapping Rail Lock 5x15L	
Z27	020081-00	Screw SH M8X1.25PX60L HS G12.9	
Z44	1000104672	Screw BH M5x0.8Px10L HS CST CST CST CHM	
Z63	004442-AB	Screw Hex Socket Round M4x0.7Px10L	
Z66	040816-A	Screw Phillip BH Tapped 3x8L	
AC1	Part of Kit 1	BASE Set - - Painting - - GM63	
AC3	Part of Kit 7	FOOT FRAME Set Painting GM63-KM -	
AD1	Part of Kit 3	Pedal Arm - L Painting - - GM63	
AD2	Part of Kit 4	Pedal Arm - R Painting - - GM63	

AJ1	Part of Kit 2	Seat Chair Adjust Set Painting(dg 446c)	
AK21	Part of Kit 5	Wps Set Superstratum Paint GM59	
C38	Part of Kit 6 or 13	AXLE, CENTRAL 45 - PULL Pin	
C39	Part of Kit 6 or 13	Stopper Block Pull Pin GM43	
D48	Part of Kit 12	Grip Pedal Arm wrap rubber GM40-KM	
J11	Part of Kit 10	AIR STICK 23KG 336.5L GM59	
J22	Part of Kit 13	RING SPHC PULL Pin	
J23	Part of Kit 6	Pull Pin Handle TPP ORANGE GM59	
J25	See Pad Matrix	PAD Set SA HEAD PAD GM59-KM BK	
J26	See Pad Matrix	BACK PAD MIDDLE PU NO LEATHER GM59-KM	
J27	See Pad Matrix	Seat Set BL Semi-Assy GM40-KM	
Not Shown	1000205508	Hardware Kit	
Q08	Part of Kit 11	RenderingPLASTIC COVER COUNTER TPR	
Q11	Part of Kit 9	GRIPEND TOP COVER - - - ADC12	
Q40	Part of Kit 11	UCB Matrix GM40 H102S1.60	
13	1000209569	PREMIUM - PIN SET SA ADJUSTABLE# GM59	Discontinued - Premium version of Kit 6. Discontinued - Dark Gray - Used before VSGM63HE2105G001. See service bulletin "Seat Adjustable Set Color Change".
2	1000113079	Seat Chair Adjust Set GM59-KM	
6	1000209623	PIN SET SA ADJUSTABLE#VALUE LINE# GM59 -	Discontinued - Order Kit 13 for Premium.
B21	1000098858	Bushing CON Rod Peadel Arm painting GM40	Discontinued
B28	004479-AB	Screw SH M8X1.25PX15L HS CHM BP	Discontinued
B29	005040-AB	Washer Flat 8.4X15.5X1.6T	Discontinued
C25	1000212327	RACK SET SA - GM63-KM - -	Replaced by 1000215742.
C40	005486-E	Spring SWP GM09	Discontinued
J10	1000200194	CONNECT POLE - D SPHC PAINTING(DG 446C)	Discontinued - Color changed from Dark Grey to Black Matte beginning in 2021. See service bulletin "Seat Adjustable Set Color Change".
K68	062949-B	Limiter Ring Guide Rod	Discontinued
L01	1000215719	BUSHING Q195 - AAW	Discontinued
Q13	1000209592	CLAMP COVER TINNERMAN D43806-014 - - -	Discontinued
V04	1000215727	DIRECTION LABEL WEIGHTPLATE#15LBS PC	Discontinued - 15lb labels.
Z03	1000226805	FIX SET SA GM63 SERVE	Discontinued